




Pressure transmitter for general applications, 0...25 bar


- Available with hygienic flush-mounted diaphragm
- Housing and wetted parts in corrosion-resistant stainless steel
- Standard signal 4...20 mA for connection to automation systems
- Plug for quick installation and service
- Many pressure ranges available




Product variants described in the data sheet may differ from the product presentation and description.

Can be combined with

- 

Type 8611
eCONTROL - Universal controller
- 

Type 8802
ELEMENT continuous control valve systems - overview
- 

Type 8619
multiCELL - Multi-channel and multi-function transmitter/controller

Type description

This pressure transmitter is designed to cover the majority of industrial applications in the field of pressure measurement technology. High accuracy, compact design, robust construction and flexibility make the transmitter suitable for various measurement tasks. All wetted parts are made of stainless steel and completely welded. Internal seal elements, which restrict the choice of measuring materials, are excluded.

Many other pressure ranges available, 0.125 % accuracy, other output signals, other electrical connections, other process connections, on request.

DTS 1000356452 EN Version: C Status: RL (released | freigegeben | valide) printed: 17.01.2020

Table of contents

1. General Technical Data	3
2. Approvals	5
2.1. Pressure Equipment Directive.....	5
Device used on a pipe	5
Device used on a vessel	5
3. Dimensions	5
3.1. Standard version <0.4 bar with process connection G ½" B.....	5
3.2. Standard version ≥0.4 bar with process connection G ½" B.....	6
3.3. Standard version ≥0.4 bar with process connection NPT ½" B.....	6
3.4. Standard flush diaphragm version with process connection G ½" B.....	7
3.5. Standard flush diaphragm version with process connection G 1" B.....	7
3.6. Hygienic flush diaphragm version with process connection G 1" B.....	8
4. Product accessories	8
5. Networking and combination with other Bürkert products	9
6. Ordering information	9
6.1. Bürkert eShop – Easy ordering and quick delivery.....	9
6.2. Bürkert product filter	9
6.3. Ordering chart.....	10
6.4. Ordering chart accessories.....	11
Accessories for pressure transmitter with flush diaphragm.....	11

1. General Technical Data

Product properties	
Material	
Non wetted parts	
Housing of the standard version <0.4 bar	Stainless steel 1.4301 (304)
Housing of the standard version ≥0.4 bar or with flush diaphragm version	Stainless steel 1.4571 (316Ti)
Wetted parts	
Standard version <0.4 bar	Stainless steel 1.4571 (316Ti)
Standard version ≥0.4 bar	Stainless steel 1.4404 (316L) (for ≤10 bar (150 PSI)) Stainless steel 1.4534 (13-8 PH) (for >10 bar (150 PSI))
Standard flush diaphragm version	Stainless steel 1.4571 (316Ti), FKM seal
Hygienic flush diaphragm version	Stainless steel 1.4404 (316L), EPDM seal
Dimensions	Detailed information can be found in chapter "3. Dimensions" on page 5.
Internal transmitting liquid	Synthetic Oil (for Standard version with pressure range <10 bar (150 PSI) and for all flush diaphragm units)
Measuring range (Pressure reference = relative pressure [atmospheric])	<ul style="list-style-type: none"> 0...0.1; 0.16; 0.25; 0.4; 0.6; 1.0; 1.6; 2.5; 4.0; 6.0; 10.0; 16.0 or 25.0 bar 0...10; 15; 25; 60; 100; 150; 250; 400 PSI
Compensated T° range	0...+80 °C (+32...+176 °F)
Product accessories	
Welding socket for pressure transmitter	<ul style="list-style-type: none"> Standard flush diaphragm version: G ½" B or G 1" B Hygienic flush diaphragm version: G 1" B (hygienic) Detailed information can be found in chapter "4. Product accessories" on page 8.
Performance data	
Temperature coefficient (Tc)	In compensated T° range
Average Tc of zero	
Standard version <0.4 bar	≤±0.4 % of full scale/10K
Standard version ≥0.4 bar	≤±0.2 % of full scale/10K
Flush diaphragm version (standard + hygienic)	≤±0.2 % of full scale/10K (measuring range >0.25 bar); ≤±0.4 % of full scale/10K (measuring range ≤0.25 bar)
Average Tc of Span	
Standard version <0.4 bar	≤±0.2 % of full scale/10K
Standard version ≥0.4 bar	≤±0.2 % of full scale/10K
Flush diaphragm version (standard + hygienic)	≤±0.2 % of full scale/10K
Adjustability: Zero / span	±5 %
Response time	
Standard version <0.4 bar	≤1 ms
Standard version ≥0.4 bar	≤3 ms
Flush diaphragm version (standard + hygienic)	≤2 ms
Measurement deviation ¹⁾	≤0.5 % of full scale (2-point calibration) ²⁾ ≤0.25 % of full scale (Best Fit Straight Line, BFS _L) ²⁾
Hysteresis	≤0.1 % of full scale
Non-Repeatability	≤0.1 % of full scale
1-year stability	≤±0.2 % of full scale (at reference conditions)
Electrical data	
Operating voltage [Vs]	Filtered and regulated connection to main supply: permanent (through external SELV (Safety Extra Low Voltage) and LPS (Limited Power Source) power supply)
Standard version <0.4 bar	10...30 V DC
Standard version ≥0.4 bar	8...36 V DC
Flush diaphragm version (standard + hygienic)	10...30 V DC
Reversed polarity of DC	Yes
Overvoltage protection	Yes
Short circuit protection	Yes

Power Source (not supplied)	Limited power source according to UL/EN 60950-1 standards or limited energy circuit according to UL/EN 61010-1 §9.4
Output signal	Standard 4...20 mA, 2 wires

Load in Ω

Standard version < 0.4 bar	$\leq (V_s [V] - 10 [V]) / 0.02 [A]$
Standard version ≥ 0.4 bar	$\leq (V_s [V] - 7.5 [V]) / 0.023 [A]$
Flush diaphragm version (standard + hygienic)	$\leq (V_s [V] - 10 [V]) / 0.02 [A]$

Media data**Fluid temperature**

Standard version	-30...+100 °C (-22...+212 °F)
Standard flush diaphragm version	-30...+100 °C (-22...+212 °F)
Hygienic flush diaphragm version	-20...+150 °C (-4...+302 °F)

Process/Port connection & communication**Process connection**

Standard version	<ul style="list-style-type: none"> G ½" B (according to EN837) NPT ½" B (according to ANSI/ASME B1.20.1)
Flush diaphragm version	<ul style="list-style-type: none"> G 1" B standard with O-ring (range up to 1.6 bar) G ½" B standard with O-ring (range up to > 1.6 bar) G 1" B hygienic version (all ranges)
Electrical connection	4 pin cable plug according to EN 175301-803 form A

Approvals and certificates**Standards**

Protection class according to IEC/EN 60529	IP65 with device wired and with cable plug mounted and tightened
--	--

Directives

CE directives	The applied standards, which verify conformity with the EU Directives, can be found on the EU Type Examination Certificate and/or the EU Declaration of conformity (if applicable)
Pressure equipment directives	Complying with Article 4, Paragraph 1 of 2014/68/EU directive Detailed information on the pressure equipment directive can be found in chapter "2.1. Pressure Equipment Directive" on page 5.

Environment and installation**Ambient temperature****Operation**

Standard version < 0.4 bar	-20...+80 °C (-4...+176 °F)
Standard version ≥ 0.4 bar	-30...+100 °C (-4...+212 °F)
Flush diaphragm version (standard + hygienic)	-20...+80 °C (-4...+176 °F)

Storage

Standard version < 0.4 bar	-40...+100 °C (-40...+212 °F)
Standard version ≥ 0.4 bar	-40...+70 °C (-40...+158 °F)
Flush diaphragm version (standard + hygienic)	-40...+100 °C (-4...+212 °F)

1.) = "measurement bias" as defined in the standard JCGM 200:2012

2.) calibrated in vertical mounting position with pressure connection bottom

2. Approvals

2.1. Pressure Equipment Directive

The device conforms to Article 4, Paragraph 1 of the Pressure Equipment Directive 2014/68/EU under the following conditions:

Device used on a pipe

Note:

- The data in the table is independent of the chemical compatibility of the material and the fluid.
- PS = maximum admissible pressure, DN = nominal diameter of the pipe

Type of fluid	Conditions
Fluid group 1, Article 4, Paragraph 1.c.i	DN ≤ 25
Fluid group 2, Article 4, Paragraph 1.c.i	DN ≤ 32 or PS*DN ≤ 1000
Fluid group 1, Article 4, Paragraph 1.c.ii	DN ≤ 25 or PS*DN ≤ 2000
Fluid group 2, Article 4, Paragraph 1.c.ii	DN ≤ 200 or PS ≤ 10 or PS*DN ≤ 5000

Device used on a vessel

Note:

- The data in the table is independent of the chemical compatibility of the material and the fluid.
- PS = maximum admissible pressure, V = vessel volume

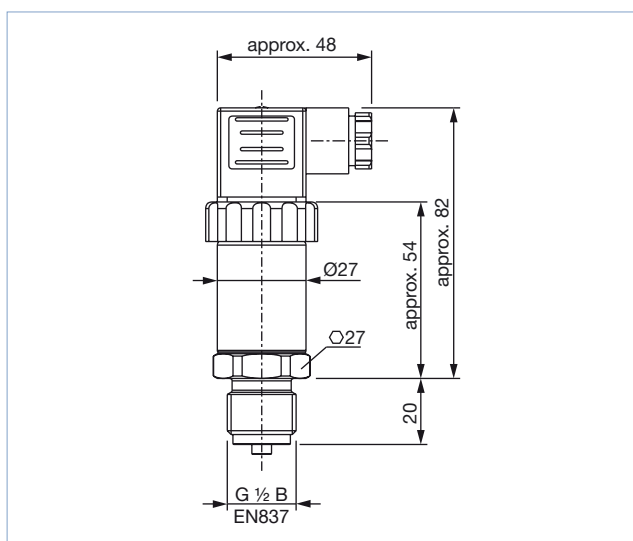
Type of fluid	Conditions
Fluid group 1, Article 4, Paragraph 1.a.i	V > 1 L and PS*V ≤ 25 bar.L or PS ≤ 200 bar
Fluid group 2, Article 4, Paragraph 1.a.i	V > 1 L and PS*V ≤ 50 bar.L or PS ≤ 1000 bar
Fluid group 1, Article 4, Paragraph 1.a.ii	V > 1 L and PS*V ≤ 200 bar.L or PS ≤ 500 bar
Fluid group 2, Article 4, Paragraph 1.a.ii	PS > 10 bar and PS*V ≤ 10000 bar.L or PS ≤ 1000 bar

3. Dimensions

3.1. Standard version <0.4 bar with process connection G ½" B

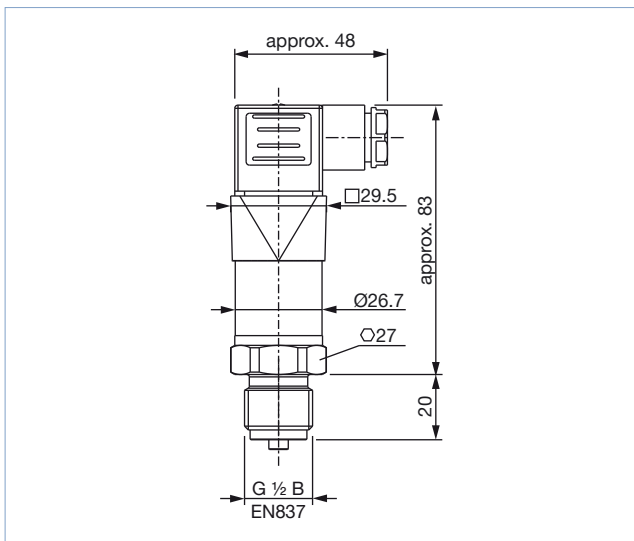
Note:

Dimensions in mm



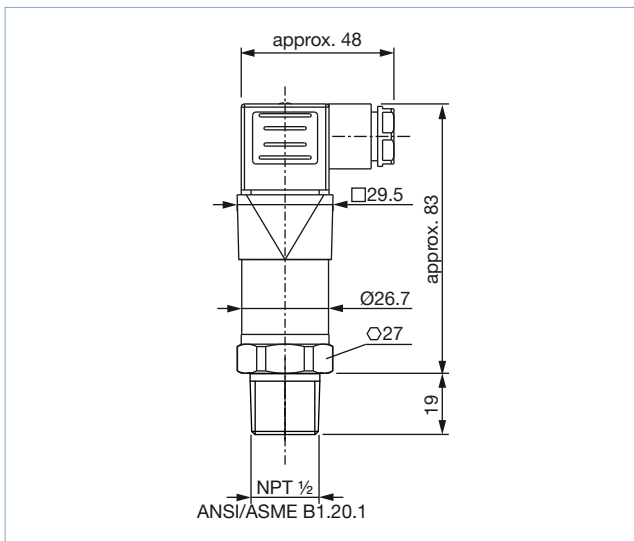
3.2. Standard version ≥ 0.4 bar with process connection G $\frac{1}{2}$ " B

Note:
Dimensions in mm



3.3. Standard version ≥ 0.4 bar with process connection NPT $\frac{1}{2}$ " B

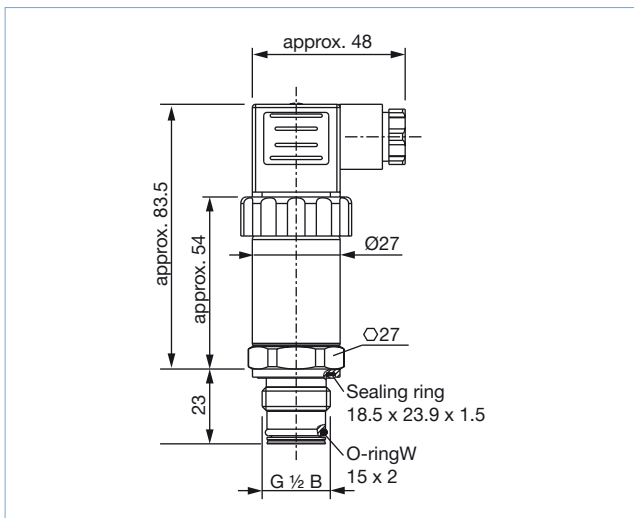
Note:
Dimensions in mm



DTS 1000356452 EN Version: C Status: RL (released | freigegeben | valide) printed: 17.01.2020

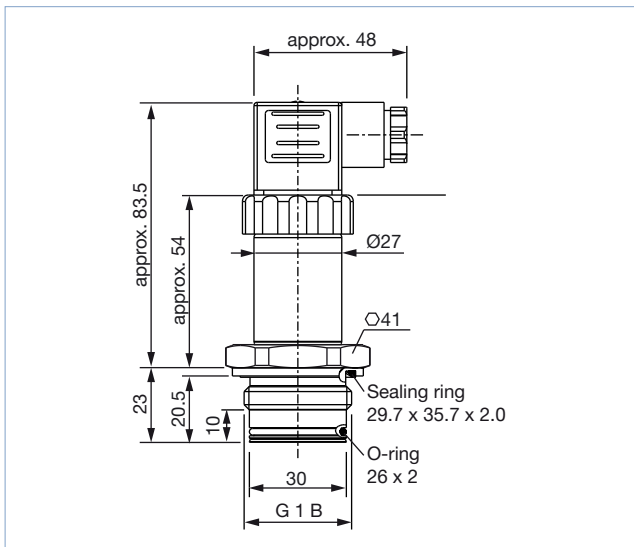
3.4. Standard flush diaphragm version with process connection G 1/2" B

Note:
Dimensions in mm



3.5. Standard flush diaphragm version with process connection G 1" B

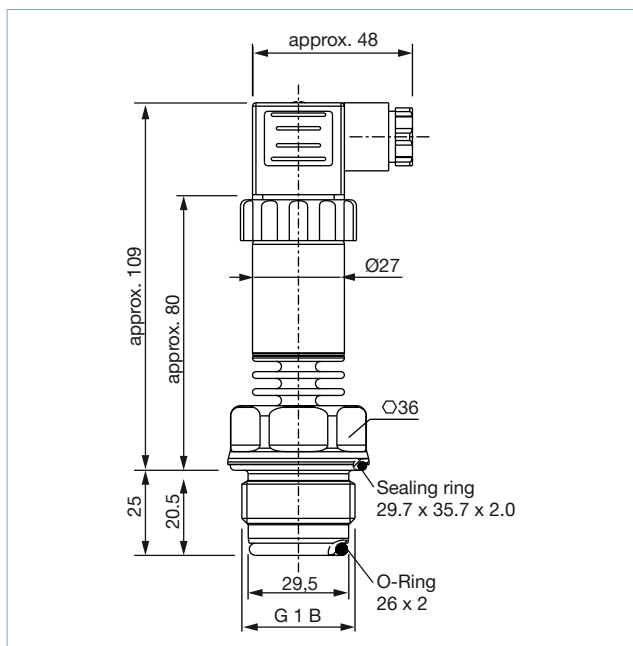
Note:
Dimensions in mm



3.6. Hygienic flush diaphragm version with process connection G 1" B

Note:

Dimensions in mm



4. Product accessories

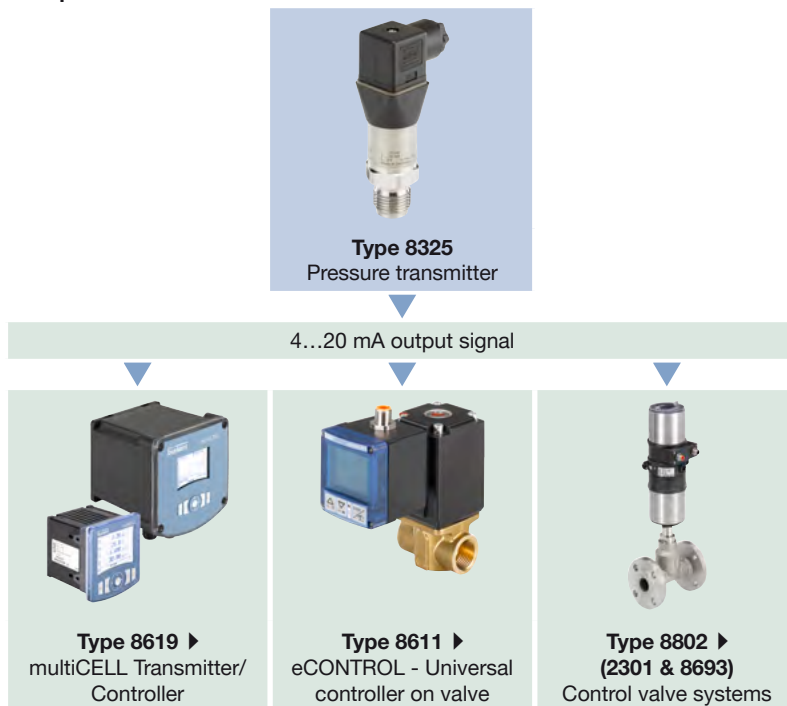
Note:

Pressure transmitter with flush diaphragm can be installed via a process adapter with welding connection (e.g. for welding to tanks). Measuring instrument and process adapter can be easily fastened or loosened with a wrench.

Accessory	Description
	Welding socket for pressure transmitter with flush diaphragm: Standard version with process connection G 1/2" B Material: stainless steel 1.4435 (316L); UNS S31603 Surface roughness of wetted parts Ra < 0.4 µm Nominal pressure PN 40
	Welding socket for pressure transmitter with flush diaphragm: Standard version with process connection G 1" B Material: stainless steel 1.4435 (316L); UNS S31603 Surface roughness of wetted parts Ra < 0.4 µm Nominal pressure PN 40
	Welding socket for pressure transmitter with flush diaphragm: Hygienic version with process connection G 1" B Material: stainless steel 1.4435 (316L); UNS S31603 Surface roughness of wetted parts Ra < 0.4 µm Nominal pressure PN 40


5. Networking and combination with other Bürkert products

Example:



6. Ordering information

6.1. Bürkert eShop – Easy ordering and quick delivery




Bürkert eShop – Easy ordering and fast delivery

You want to find your desired Bürkert product or spare part quickly and order directly? Our online shop is available for you 24/7. Sign up and enjoy all the benefits.

[Order online now](#)

6.2. Bürkert product filter



Bürkert product filter – Get quickly to the right product

You want to select products comfortably based on your technical requirements? Use the Bürkert product filter and find suitable articles for your application quickly and easily.

[Try out our product filter](#)

6.3. Ordering chart

Note:

The following values apply exclusively to the standard version with process connection G 1/2" B

Pressure range [bar]	Pressure max [bar]	Power supply [V DC]	Output signal [mA]	Article no.
0...0.10	1	10...30	4...20	569494
0...0.16	1.5	10...30	4...20	569495
0...0.25	2	10...30	4...20	570141
0...0.40	1.2	8...36	4...20	569090
0...0.60	1.8	8...36	4...20	569091
0...1.00	3	8...36	4...20	569092
0...1.60	4.8	8...36	4...20	569093
0...2.50	7.5	8...36	4...20	569094
0...4.00	12	8...36	4...20	569095
0...6.00	18	8...36	4...20	569096
0...10.0	20	8...36	4...20	569097
0...16.0	32	8...36	4...20	569098
0...25.0	50	8...36	4...20	569099

Note:





The following values apply exclusively to the standard version with process connection NPT 1/2" B

Pressure range [PSI]	Pressure max [PSI]	Power supply [V DC]	Output signal [mA]	Article no.
0...10	30	8...36	4...20	569100
0...15	45	8...36	4...20	569101
0...25	45	8...36	4...20	569102
0...60	180	8...36	4...20	569103
0...100	300	8...36	4...20	569104
0...150	300	8...36	4...20	569176
0...250	500	8...36	4...20	569177
0...400	800	8...36	4...20	569178

Note:



The following values apply exclusively to the flush diaphragm version (standard or hygienic).

Pressure range [bar]	Pressure max [bar]	Power supply [V DC]	Output signal [mA]	Article no.		
				Standard G 1/2" B	Standard G 1" B	Hygienic G 1" B
0...0.10	1	10...30	4...20	-	569485	569478
0...0.16	1.5	10...30	4...20	-	569486	-
0...0.25	2	10...30	4...20	-	-	-
0...0.40	2	10...30	4...20	-	569487	569479
0...0.60	4	10...30	4...20	-	-	569480
0...1.00	5	10...30	4...20	-	569488	569481
0...1.60	10	10...30	4...20	-	-	569482
0...2.50	10	10...30	4...20	569489	-	569483
0...4.00	17	10...30	4...20	-	-	-
0...6.00	35	10...30	4...20	569490	-	-
0...10.0	35	10...30	4...20	569491	-	569484
0...16.0	80	10...30	4...20	569492	-	-
0...25.0	50	10...30	4...20	569493	-	-

Further versions on request	
 Process connection <ul style="list-style-type: none"> • EN837 G ¼" B; • DIN 3852-E G ½" A or G ¼" A • ASME NPT ½", NPT ¼"... 	 Pressure <ul style="list-style-type: none"> • Relative pressure: up to 1000 bar or 10000 PSI • Absolute pressure: up to 40 bar or 500 PSI
 Electrical connection <p>M12 connector, EN 175301-803 form C, cable connection...</p>	 Additional <ul style="list-style-type: none"> • Output signal 0...10 V DC, 0...5 V DC,... • Measurement deviation at 0.125 % BFSL (Best Fit Straight Line)

6.4. Ordering chart accessories

Accessories for pressure transmitter with flush diaphragm

Description	Article no.
Weld-on socket for standard flush diaphragm version with process connection G ½"	443295 
Weld-on socket for standard flush diaphragm version with process connection G 1"	444137 
Weld-on socket for hygienic flush diaphragm version with process connection G 1"	443296 

Bürkert – Close to You

For up-to-date addresses
please visit us at
www.burkert.com

DTS 1000356452 EN Version: C Status: RL (released | freigegeben | validé) printed: 17.01.2020

