

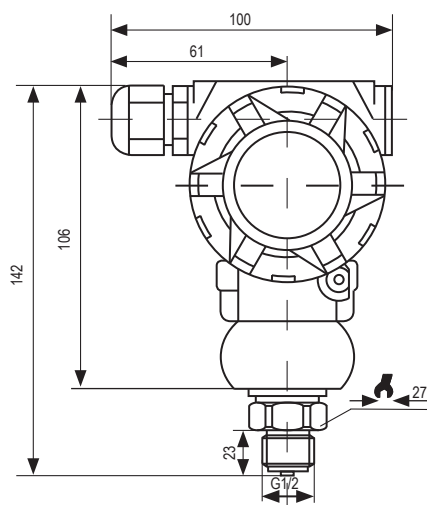


Pressure Transmitter 压力变送器

- Measuring ranges from 0 ... 0,1 bar to 0 ... 1000 bar
- Output signal: 4 ... 20 mA , RS485
- For dynamic or static measurements
- With / Without LCD - display
- Optimum long-term stability
- Process connection G1/2 " , 1/2NPT and others

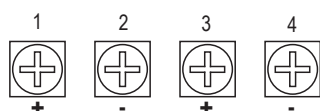
- 测量范围从 0 ... 0,1 bar 到 0 ... 1000 bar
- 输出信号: 4 ... 20 mA , RS485
- 动态或静态测量
- 带或不带 LCD 显示
- 最佳长期稳定性
- 过程连接为 G1/2 " , 1/2NPT 或其他

Drawing / 尺寸图



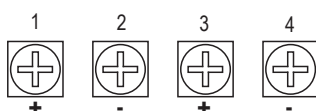
Wiring diagram / 接线图

4 ... 20 mA



Pin / 针	4 ... 20 mA (HART)
1	U _b +
2	S+
3	---
4	---

RS485



Pin / 针	RS485
1	U _b +
2	U _b -
3	485A
4	485B

Technical Specification / 技术规范								
Pressure range 测量范围	0 ... 0,1	0...0,16	0...0,25	0 ... 0,4	0 ... 0,6	0 ... 1	0 ... 1,6	[bar]
Overload limit 过载极限	≤ 1	≤ 1	≤ 1,75	≤ 1,75	≤ 1,75	≤ 2	≤ 4	[bar]
Pressure range 测量范围	0 ... 2,5	0 ... 4	0 ... 6	0 ... 10	0 ... 16	0 ... 25	0 ... 40	[bar]
Overload limit 过载极限	≤ 7	≤ 14	≤ 14	≤ 20	≤ 40	≤ 70	≤ 140	[bar]
Pressure range 测量范围	0 ... 60	0 ... 100	0 ... 160	0 ... 250	0 ... 400	0 ... 600	0...1000	[bar]
Overload limit 过载极限	≤ 140	≤ 300	≤ 400	≤ 700	≤ 1100	≤ 1100	≤ 1500	[bar]
Measuring principle 测量原理	piezoresistive / 压阻							
Display 显示屏幕	LCD							
Supply voltage 供电电压	12 ... 32							[V DC]
Output signal 输出信号	4 ... 20 mA, RS485							
Permitted load 允许载荷	≤ (U _b -12V)/0.02A							
Current consumption 电流消耗	≤ 25							[mA]
Accuracy 精度	≤ ± 0.5 、 ≤ ± 0.25							[%]
Repeat accuracy 重复精度	≤ ± 0.05							[% F.S.]
Compensated temperature range 补偿温度范围	0 ... 70							[°C]
Temperature error zero point 零点温度误差	≤ ± 0.03							[% F.S./K]
Temperature error range 量程温度误差	≤ ± 0.03							[% F.S./K]
Operating temperature 工作温度	-30 ... +100							[°C]
Storage temperature 储存温度	-40 ... +85							[°C]
Ambient temperature 环境温度	-25 ... +85							[°C]
Response time 响应时间	≤ 50							[ms]
Vibration resistance 抗振动性	10g (20 ... 2000Hz) sinus acc. to DIN EN 60068-2-6 10g 符合 DIN EN 60068-2-6 在 20 .. 2000 Hz							
Shock resistance 抗冲击性	100 g; 11 ms; DIN EN 60068-2-27 100g, 11 ms 符合 DIN EN 60068-2-27							
Housing 外壳材质	Aluminum die-casting 压铸铝							
Wetted parts 接触部件	Stainless Steel 316L, Sealing material 不锈钢 316L, 密封材料							
Service life 使用寿命	> 10 million cycles / > 1 千万次循环							
Fitting thread 过程连接	G1/2", 1/2NPT male thread (others on request) G1/2", 1/2NPT 外螺纹 (其他按要求提供)							
Electrical connection 电气连接	Cable gland 格兰头							
Protection degree 防护等级	IP65							

Series 8328 / 8328 系列

Pressure Transmitter / 压力变送器

Specification key / 规格代码

8328 - - - - - -

Measuring range / 测量范围	
66	0 ... 0,1 bar
67	0 ... 0,16 bar
68	0 ... 0,25 bar
69	0 ... 0,4 bar
70	0 ... 0,6 bar
71	0 ... 1 bar
72	0 ... 1,6 bar
74	0 ... 2,5 bar
75	0 ... 4 bar
76	0 ... 6 bar
77	0 ... 10 bar
78	0 ... 16 bar
80	0 ... 25 bar
81	0 ... 40 bar
82	0 ... 60 bar
83	0 ... 100 bar
84	0 ... 160 bar
85	0 ... 250 bar
87	0 ... 400 bar
88	0 ... 600 bar
89	0 ... 1000 bar

Display / 显示屏幕	
W	without / 无
C	LCD

Pressure fitting / 过程连接	
22	G1/4" EN837
12	G1/4" DIN 3852-E
24	G1/2" EN837
14	G1/2" DIN 3852-E
32	1/4NPT
34	1/2NPT

O-ring / 密封圈材质		
N	NBR	-30 ... +80°C
F	FKM / FPM	-20 ... +125°C

Output signal / 输出信号	
19	4 ... 20 mA
34	RS485

Accuracy / 精度等级	
25	0,5%
22	0,25%

Sample:

8328-76-C-22-19-N-24

Pressure Transmitter
Type: 8328
Measuring range: 0 ... 6 bar
Accuracy: 0,25%
Display: LCD
Output signal: 4 ... 20 mA
Power supply: 12 ... 30V DC
Sealing: NBR
Operating temperature: -30 ... +80°C
Pressure fitting: G1/2" EN 827
Protection type: IP65

举例:

8328-76-C-22-19-N-24

压力变送器
型号: 8328
测量范围: 0 ... 6 bar
精度等级: 0,25%
显示屏幕: LCD
输出信号: 4 ... 20 mA
供电电压: 12 ... 30V DC
密封材质: NBR
介质温度: -30 ... +80°C
过程连接: G1/2" EN837
防护等级: IP65