

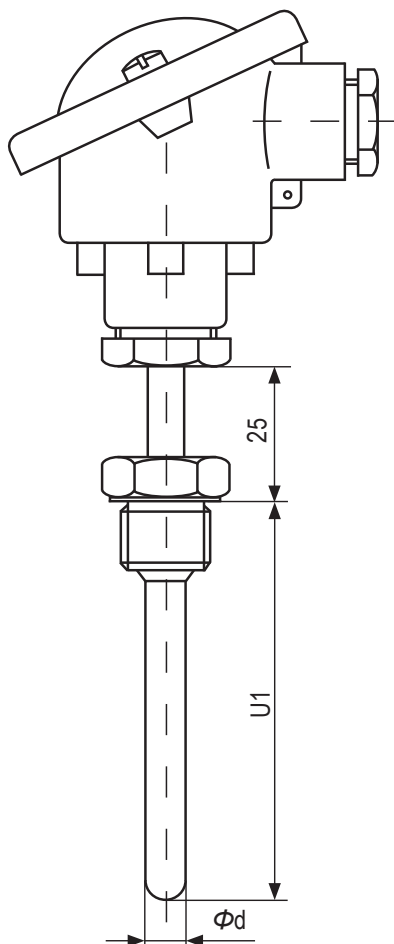


Resistance Thermometer 热电阻温度计

- Measuring ranges from -50°C to 200°C
- Output signal: Pt100 in 2-, 3-, 4-wire circuit
- Compact dimensions
- Short delivery times
- Process connection and sensor tube from 316
- Process connection G1/2", 1/2NPT and others

- 测量范围从 -50°C 到 200°C
- 输出信号: 2、3、4 线制 Pt100
- 紧凑型尺寸
- 交货期短
- 过程连接和探杆均为 316 材质
- 过程连接为 G1/2", 1/2NPT 或其他

Drawing / 尺寸图



Legend / 图例:
U1 Insertion length / 插入深度
 ϕd Thermowell diameter / 探杆直径

Technical Specification / 技术规范		
Measuring range 测量范围	-50 ... +200	[°C]
Measuring element 测量元件	Pt100	
Measuring element tolerance value per IEC 60751 根据 IEC 60751 测量元件公差值	Class B、Class A B 级、A 级	
Accuracy @ 100°C 精度	~ 1 Kelvin ~ 1 开尔文	
Response time 响应时间	$t_{50} < 25$ 、 $t_{90} < 75$ (for sensor diameter 11 mm) $t_{50} < 25$ 、 $t_{90} < 75$ (适用于直径 11 毫米传感器)	[S]
Sensor diameter 探杆直径	9、11	[mm]
Sensor insertion length 传感器插入深度	50、100、150、200 (Max. 500)	[mm]
Fitting thread 螺纹连接	G1/2"、1/2NPT	
Tightening torque, recommended 拧紧扭矩, 推荐	20	[Nm]
Measuring insert 测量插入件	Replaceable 可更换	
Material of process connection 过程连接材质	Stainless Steel 316 不锈钢 316	
Material of sensor tube 探杆材质	Stainless Steel 316 不锈钢 316	
Output signal 输出信号	Pt100	
Connection method 连接方法	2-wire、3-wire、4-wire 2 线制、3 线制、4 线制	
Measuring current 测量电流	0,1 ... 1,0	[mA]
Storage temperature 储存温度	-40 ... +125	[°C]
Ambient temperature 环境温度	-40 ... +125	[°C]
Electrical connection 电气连接	Type B to DIN 43729 符合 DIN 43729 标准 B 型接线盒	
Protection degree 防护等级	IP65	

Series 8421 / 8421 系列

Resistance Thermometer / 热电阻温度计

Specification key / 规格代码

8421 - [] - [] - [] - [] - [] - [] - []

Measuring range / 测量范围	
520	-50 ... 200 °C

Accuracy / 精度等级	
B	Class B / B 级
A	Class A / A 级

Connection method / 连接方法	
12	1 Pt100 × 2 - wire / 1 Pt100 × 2 线制
13	1 Pt100 × 3 - wire / 1 Pt100 × 3 线制
14	1 Pt100 × 4 - wire / 1 Pt100 × 4 线制
22	2 Pt100 × 2 - wire / 2 Pt100 × 2 线制
23	2 Pt100 × 3 - wire / 2 Pt100 × 3 线制

Sensor diameter / 探杆直径	
9	9 mm
B	11 mm

E-connection / 电气连接	
A	B (Aluminium) / B (铝)
B	BUZ (Aluminium) / BUZ (铝)
D	BUZ-H (Aluminium) / BUZ-H (铝)

Pressure fitting / 过程连接	
24	G1/2"
34	1/2NPT

Sensor insertion length / 插入深度	
050	50 mm
100	100 mm
150	150 mm
200	200 mm

Sample:

8421-520-B-12-B-100-24-A

Resistance thermometer
Type: 8421
Measuring range: -50 ... 200°C
Accuracy: Class B
Connection method: 1 Pt100 × 2-wire
Sensor diameter: 11 mm
Sensor insertion length: 100 mm
Material of process connection: stainless steel 316
Material of sensor tube: stainless steel 316
Pressure fitting: G1/2" EN 827
E-connection: Type B to DIN 43729 (Aluminium)
Protection type: IP65

举例:

8421-520-B-12-B-100-24-A

热电阻温度计
型号: 8421
测量范围: -50 ... 200°C
精度等级: B 级
连接方法: 1 Pt100 × 2 线制
探杆直径: 11 mm
插入深度: 100 mm
接口材质: 不锈钢 316
探杆材质: 不锈钢 316
过程连接: G1/2" EN837
电气连接: 符合 DIN 43729 标准 B 型接线盒 (铝)
防护等级: IP65