

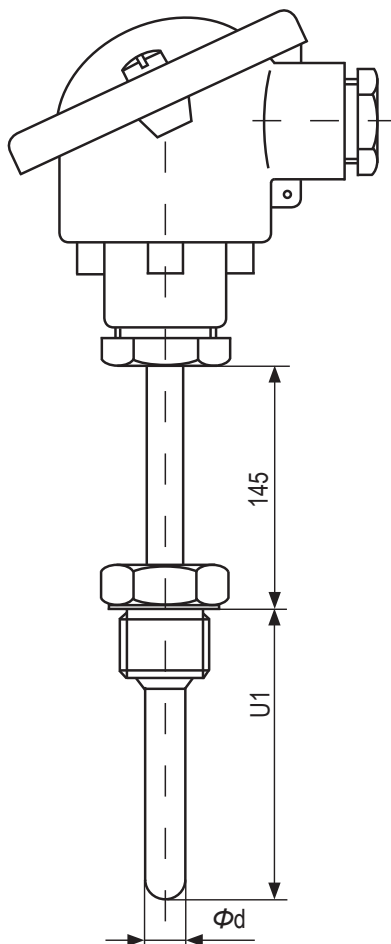


Resistance Thermometer 热电阻温度计

- Measuring ranges from -50°C to 400°C
- Output signal: Pt100 in 2-, 3-, 4-wire circuit
- Exchangeable process probe
- With extension tube
- Process connection and sensor tube from 316
- Process connection G1/2", 1/2NPT and others

- 测量范围从 -50°C 到 400°C
- 输出信号: 2、3、4 线制 Pt100
- 可更换测量探头
- 带延长管
- 过程连接和探杆均为 316 材质
- 过程连接为 G1/2", 1/2NPT 或其他

Drawing / 尺寸图



Legend / 图例:
U1 Insertion length / 插入深度
 Φd Thermowell diameter / 探杆直径

Technical Specification / 技术规范		
Measuring range 测量范围	-50 ... +400	[°C]
Measuring element 测量元件	Pt100	
Measuring element tolerance value per IEC 60751 根据 IEC 60751 测量元件公差值	Class B、Class A B 级、A 级	
Accuracy @ 100°C 精度	~ 1 Kelvin ~ 1 开尔文	
Response time 响应时间	$t_{50} < 25$ 、 $t_{90} < 75$ (for sensor diameter 11 mm) $t_{50} < 25$ 、 $t_{90} < 75$ (适用于直径 11 毫米传感器)	[S]
Sensor diameter 探杆直径	9、11	[mm]
Sensor insertion length 传感器插入深度	50、100、150、200 (Max. 500)	[mm]
Fitting thread 螺纹连接	G1/2"、1/2NPT	
Tightening torque, recommended 拧紧扭矩, 推荐	20	[Nm]
Measuring insert 测量插入件	Replaceable 可更换	
Extension tube 延长管	145	[mm]
Material of process connection 过程连接材质	Stainless Steel 316 不锈钢 316	
Material of sensor tube 探杆材质	Stainless Steel 316 不锈钢 316	
Output signal 输出信号	Pt100	
Connection method 连接方法	2-wire、3-wire、4-wire 2 线制、3 线制、4 线制	
Measuring current 测量电流	0,1 ... 1,0	[mA]
Storage temperature 储存温度	-40 ... +125	[°C]
Ambient temperature 环境温度	-40 ... +125	[°C]
Electrical connection 电气连接	Type B to DIN 43729 符合 DIN 43729 标准 B 型接线盒	
Protection degree 防护等级	IP65	

Series 8422 / 8422 系列

Resistance Thermometer / 热电阻温度计

Specification key / 规格代码

8422 - [] - [] - [] - [] - [] - [] - []

Measuring range / 测量范围	
540	-50 ... 400 °C

Accuracy / 精度等级	
B	Class B / B 级
A	Class A / A 级

Connection method / 连接方法	
12	1 Pt100 × 2 - wire / 1 Pt100 × 2 线制
13	1 Pt100 × 3 - wire / 1 Pt100 × 3 线制
14	1 Pt100 × 4 - wire / 1 Pt100 × 4 线制
22	2 Pt100 × 2 - wire / 2 Pt100 × 2 线制
23	2 Pt100 × 3 - wire / 2 Pt100 × 3 线制

Sensor diameter / 探杆直径	
9	9 mm
B	11 mm

E-connection / 电气连接	
A	B (Aluminium) / B (铝)
B	BUZ (Aluminium) / BUZ (铝)
D	BUZ-H (Aluminium) / BUZ-H (铝)

Pressure fitting / 过程连接	
24	G1/2"
34	1/2NPT

Sensor insertion length / 插入深度	
050	50 mm
100	100 mm
150	150 mm
200	200 mm

Sample:

8422-540-B-12-B-100-24-A

Resistance thermometer
Type: 8422
Measuring range: -50 ... 400°C
Accuracy: Class B
Connection method: 1 Pt100 × 2-wire
Sensor diameter: 11 mm
Sensor insertion length: 100 mm
Material of process connection: stainless steel 316
Material of sensor tube: stainless steel 316
Pressure fitting: G1/2" EN 827
E-connection: Type B to DIN 43729 (Aluminium)
Protection type: IP65

举例:

8422-540-B-12-B-100-24-A

热电阻温度计
型号: 8422
测量范围: -50 ... 400°C
精度等级: B 级
连接方法: 1 Pt100 × 2 线制
探杆直径: 11 mm
插入深度: 100 mm
接口材质: 不锈钢 316
探杆材质: 不锈钢 316
过程连接: G1/2" EN837
电气连接: 符合 DIN 43729 标准 B 型接线盒 (铝)
防护等级: IP65